

Installing the Cameras

ATTENTION - Test each camera prior to selecting a permanent mounting location by temporarily connecting the camera(s) to the DVR.

Before installing the cameras

Decide whether to run the cables through the wall / ceiling (drilling required) or along the wall / ceiling.

If you run the cables along the wall / ceiling, you must run the cable through the cable notch on the base. This will keep the camera base flush to the surface when mounted.



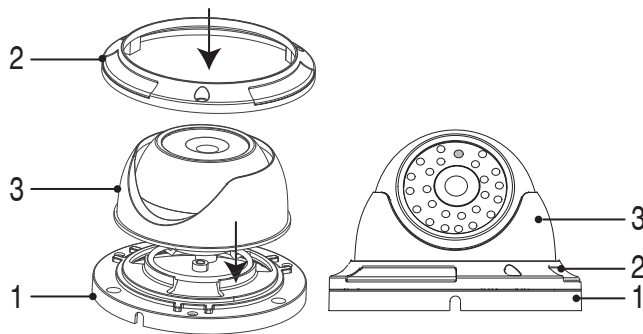
Cable Notch

To mount the camera

Position the camera in the location you want to mount it, and mark the screw holes on the surface to position the screws. Then, using appropriate screws for the surface you're fixing the camera to, screw the camera into place.

If you're mounting to a wooden surface, then screw the camera directly to the surface.

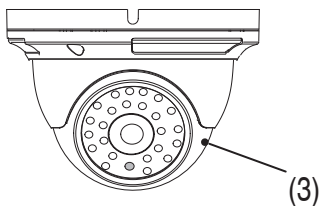
If you're mounting to a masonry surface (bricks, concrete or similar) then you'll need to use the included wall plugs.



To aim the camera

The dome cover (3) can be rotated left or right.

The camera can be aimed in almost any direction from wherever you choose to mount it.

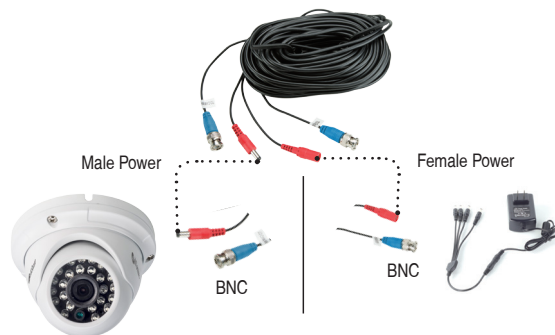


Important safety instructions

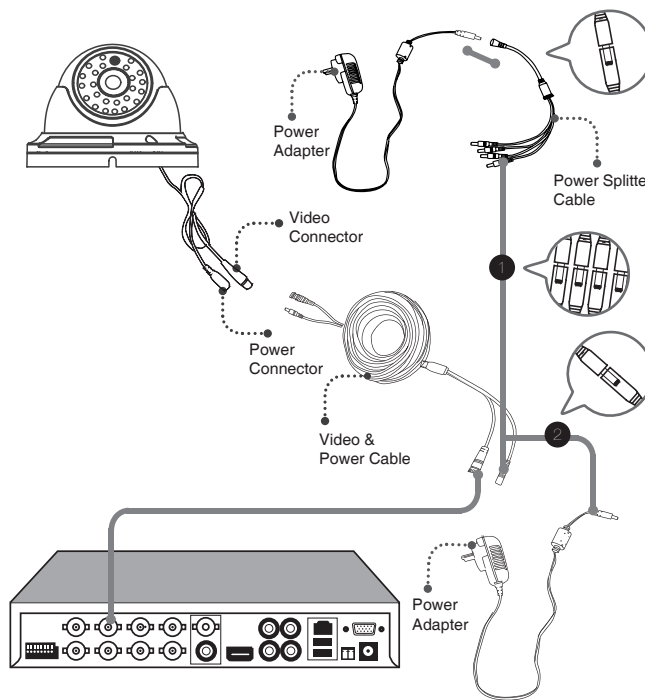
1. Make sure product is fixed correctly and stable if fastened in place.
2. Do not operate if wires and terminals are exposed.

Connecting the cameras

1. Connect the BNC and power connectors to the camera.
2. Connect the BNC connector to the video input of your DVR.
3. Connect the power connectors to the 4(8)-in-1 power adapter. OR Connect each camera to an individual power adapter.



Setup Diagram



1 For 2 & 4 camera packs:

Connect the extension cable's DC socket to the multiple sockets on the power splitter. Then, plug the single end of the power splitter to the DC plug on the power adapter.

2 For a single camera:

Connect the extension cable's DC socket to the DC plug on the power adapter.

ATTENTION - This camera includes an Auto Mechanical IR Cut Filter. When the camera changes between Day/Night viewing modes, an audible clicking noise may be heard from the camera. This clicking is normal, and indicates that the camera filter is working.

Cable Extension Options

Extend the cable run for your camera depending on the cable type used. Additional extension cables sold separately. See table below.

Option	Cable Type	Max Cable Run Distance
1	AHD Cable (DC/BNC)	60ft/18.3m
2	'RG59' or 'Coax' or 'Coaxial BNC' (Video and Power)	300ft/91.5m
3	'RG59' or 'Coax' or 'Coaxial BNC' (Video Only)	800ft/244m

Notes:

1. The extension cable must be a single stretch of cable between the DVR and camera. You cannot connect multiple extension cables to each other.
2. For cable runs above 300ft/92m (option 3), you must connect the power adapter directly to the camera, rather than at the end of the extension cable.
3. Indicators that your cable run may be too long:
 - Video is permanently black & white (even during day time)
 - Video is unclear, soft, or distorted
4. For more information on extension cables, visit www.ansjer.com

Troubleshooting

Problem	Solution
No picture / signal	<p>Check the DVR output and ensure your TV/Monitor is on the matching input signal. Common terms of an input signal: CVBS, VGA, HDMI</p> <p>Ensure your DVR is properly connected to your TV/Monitor.</p> <p>Ensure connections are properly connected.</p> <p>Ensure the camera power supply is plugged in.</p>
Picture is too bright	<p>Ensure your camera isn't pointed directly at a source of light (e.g. Sun or spot light).</p> <p>Move your camera to a different location.</p>
Picture is too dark	<p>Check the brightness and contrast setting of the DVR or monitor.</p>
Night vision is not working	<p>The night vision activates when light levels drop. The area may have too much light.</p>
Picture is not clear	<p>Check the camera lens for dirt, dust, spiderwebs. Clean the lens with a soft, clean cloth.</p> <p>Make sure that the cable run is within the limitations specified in the section 'Cable Extension Options'.</p>
Bright spot in video when viewing camera at night	<p>Night vision reflects when pointing a camera at a window.</p> <p>Move the camera to a different location.</p>

Contents

- 1080P AHD High Resolution Camera
- 60FT AHD Cable
- Mounting Screw Bag
- Camera Power Adapter DC12V/2A
- 1 to 4(8) Power Splitter Cable
- Instruction Manual

Features

- True HD 1080p Image Sensor
- Infrared cut filter ensures accurate color representation
- Night vision range up to 90ft(28m)in ambient lighting & 65ft(20m) in total darkness
- Close up recognition in the dark with SmartIR
- Anti-glare feature ensures clear images under strong lighting conditions
- ClearNight imaging for superior low light performance, improving recording efficiency
- Split glass design minimizes IR reflection
- Weatherproof for outdoor & indoor installation (IP66 Rated)
- Extreme temperature performance(-10°C-55°C)
- Versatile ceiling or wall mounting
- Residential and business friendly compact design

Warning/Caution

Read this guide carefully and keep it for future reference.

Follow all instructions for safe use of the product and handle with care.

Use the cameras within given temperature humidity and voltage levels noted in 'Camera Specifications'.

Do not disassemble the cameras.

Do not point the cameras directly towards the sun or a source of intense light.

Use only the supplied regulated power supply. Use of a non-regulated, non-conforming power supply can damage this product and voids the warranty.

Periodic cleaning may be required. Use a damp cloth only. Do not use harsh cleaners or aerosol cleaners.

Installation Tips

Point the cameras where there is the least amount of obstructions (i.e. Tree branches).

Install the cameras where they are difficult for vandals to reach.

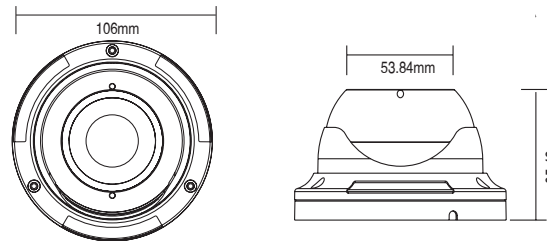
Secure cabling so that it is not exposed or easily cut.

Cameras rated for outdoor use. Installation in a sheltered location recommended.

Camera specifications

Model	04-EN-CAM-AHD-04	04-EN-CAM-AHD-02
Camera		
Image sensor	1/3" CMOS with ICR, 1080P	1/2.9" CMOS with ICR, 1080P
Effective Pixels	2304(H)x1296(V)	1984(H)x1105(V)
Scanning System	Interlaced	
Electronic Shutter Speed	PAL: 1/50~1/1000; NTSC: 1/60~1/10000	
Min. Illumination	0LUX (IR on)/0.1Lux IR off)	
S/N Ratio	> 60dB	
Video Output	1.0Vp-p (75 /BNC)	
Camera Features		
IR LEDs Amount	24PCS 5mm LEDs	
Max. IR LEDs Length	65ft(20m)	
Day/Night	Auto(ICR)	
BLC	Auto	
White Balance	Auto	
Gain Control	Auto	
Noise Reduction	No	
Lens		
Lens	3 Megapixel 6.0mm	
Max Aperture	F2.0	
Angle	60°	61°
General		
Power Supply	DC12V/500mA	
Power Consumption	< 6W	
Working Environment	-20°C+50°C, 10%~90%	
Ingress Protection	IP66	
Weight	279g	

Dimensions



eN-Secure

MPX 1080P WEATHERPROOF
NIGHT VISION SECURITY CAMERA

USER MANUAL

Quick Start Guide

